

ArtFORMS®

◆ cast-in-place ◆ Architectural Concrete Bases

www.ArtFORMSConcreteBases.com

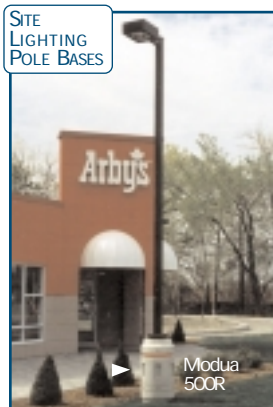
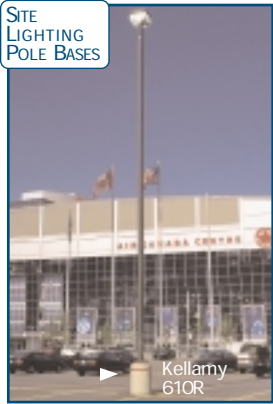
ONLINE PRODUCT CATALOG

- ◆ Photo Gallery
- ◆ Downloadable CAD Dwgs & Specs
- ◆ Interactive Design Feature
- ◆ Q & A
- ◆ Other

ArtFORMS Architectural Concrete Bases are cast with ready-mix concrete on the jobsite by the Property Owner's construction Contractor with the use of:

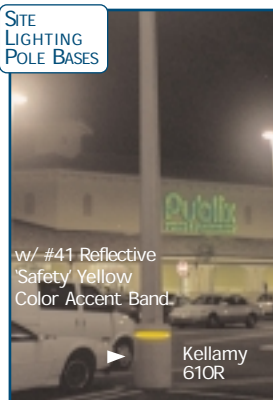
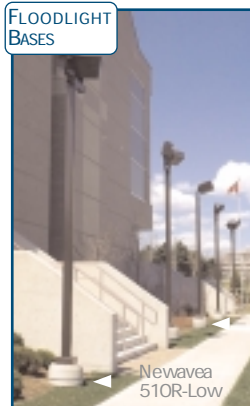
- ◆ unique (world-first!)
- ◆ award-winning
- ◆ versatile
- ◆ easy-to-use
- ◆ convenient
- ◆ cost-effective
- ◆ single-use

ArtFORMS Concrete Forms

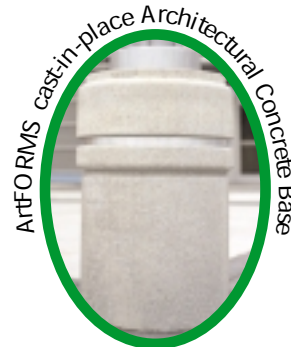


ArtFORMS Base Applications:

- ◆ SITE LIGHTING POLE BASES
- ◆ FLOODLIGHT BASES
- ◆ LIGHTING BOLLARD BASES
- ◆ PROTECTIVE BOLLARDS
- ◆ FLAGPOLE BASES
- ◆ COLUMN BASES
- ◆ SIGN POST BASES
- ◆ GAZEBO /PAVILION... POST BASES
- ◆ OTHER CONCRETE SUPPORT BASE APPLICATIONS



The OLD way!



The ArtFORMS way!

Lower installed cost!

Need we say more?...

ArtFORMS International Inc.

Website: www.ArtFORMSConcreteBases.com

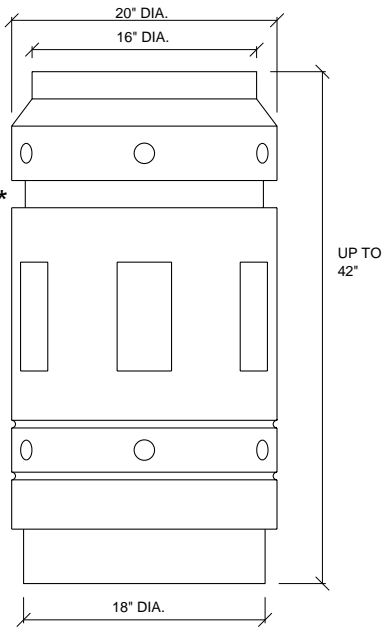
E-mail: ArtFORMS@ArtFORMSConcreteBases.com

Toronto, ON - Buffalo, NY

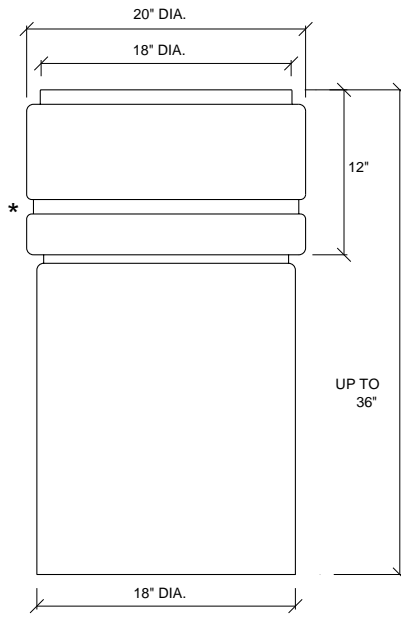
Tel: (905) 642-3225

Fax: (905) 642-3227

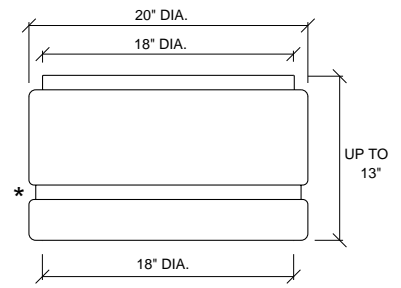
ArtFORMS® is a registered trademark of ArtFORMS International Inc.



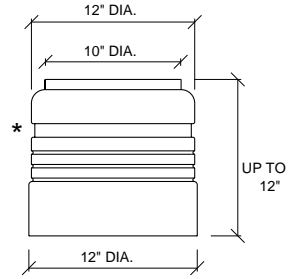
MODUA 500R



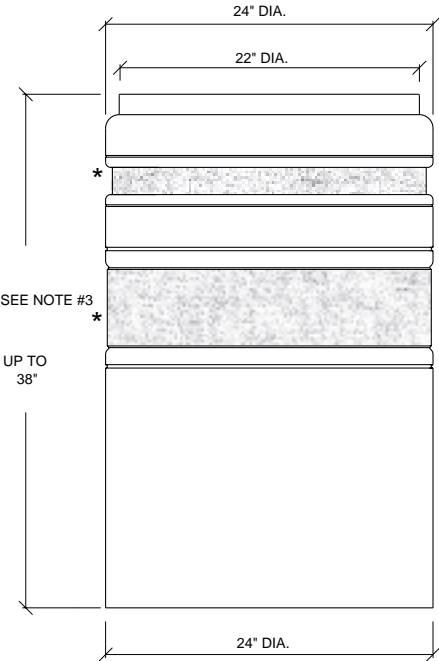
NEWAVEA 510R-HIGH



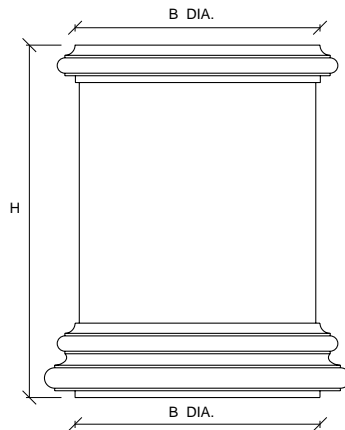
NEWAVEA 510R-LOW



DOBLA 305R

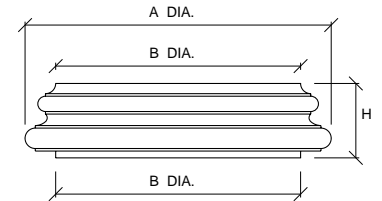


KELLAMY 610R



CUSTOM MAROSE 255R
 CUSTOM MAROSE 305R
 CUSTOM MAROSE 460R
 CUSTOM MAROSE 610R

B	H
10"	UP TO 30"
12"	
18"	
18"	
24"	



	A	B	H
CLASSICA 255R	13"	10"	4.75"
CLASSICA 305R	15"	12"	3.75"
CLASSICA 460R	22.5"	18"	5.5"
CLASSICA 610R	30"	24"	7.75"

NOTES:

1. THESE SKETCHES DEPICT CAST-IN-PLACE ARCHITECTURAL CONCRETE BASES VIA SINGLE-USE ArtFORMS CONCRETE FORMS.
2. DIMENSIONS SHOWN ARE IN NOMINAL INCHES.
3. *INDICATES OPTIONAL SELF-LOCKING ALUMINUM COLOR ACCENT BAND FOR HORIZONTAL REVEAL(S).



CAST-IN-PLACE
ARCHITECTURAL CONCRETE BASES

for...

- SITE LIGHTING POLES • FLOODLIGHTS • LIGHTING & PROTECTIVE BOLLARDS
 FLAGPOLES • COLUMNS • SIGN POSTS • GAZEBO/PAVILION/PERGOLA/TRELLIS POSTS
 FENCE/GATE POSTS • PORCH POSTS • DECK POSTS • DRIVEWAY LAMP POSTS • OTHER • CUSTOM

ArtFORMS International Inc. www.ArtFORMSConcreteBases.com
 EMAIL: ArtFORMS@ArtFORMSConcreteBases.com TEL: 905-642-3225 FAX: 905-642-3227

ArtFORMS Architectural Concrete Bases are cast-in-place on the jobsite by the Property Owner's construction Contractor by means of versatile, cost-effective, single-use ArtFORMS Concrete Forms