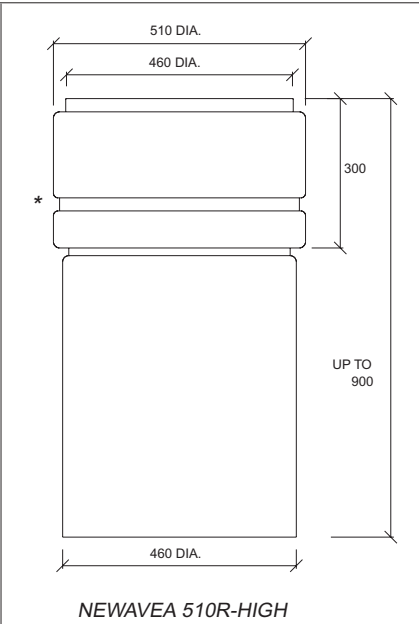
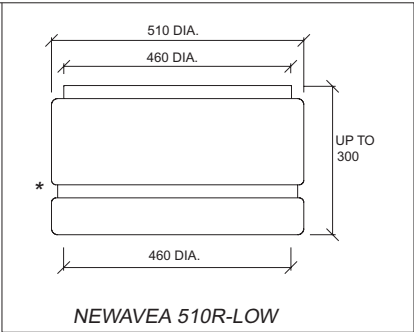


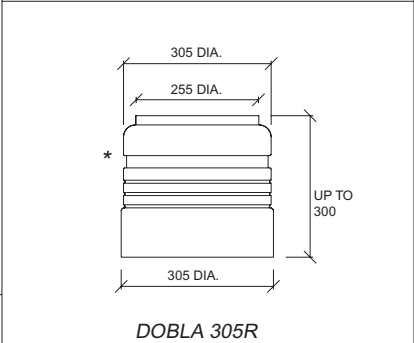
MODUA 500R



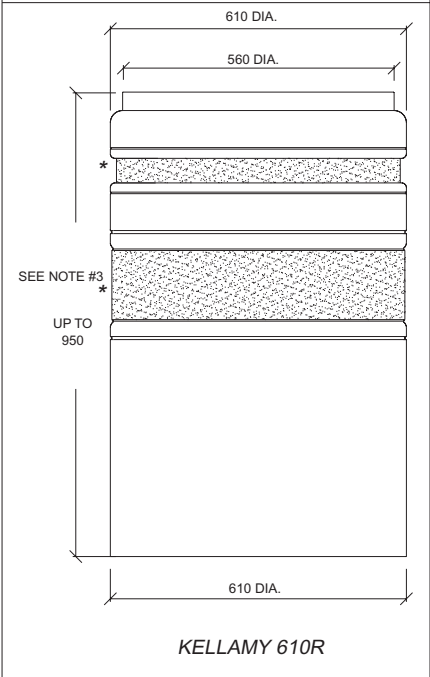
NEWAVEA 510R-HIGH



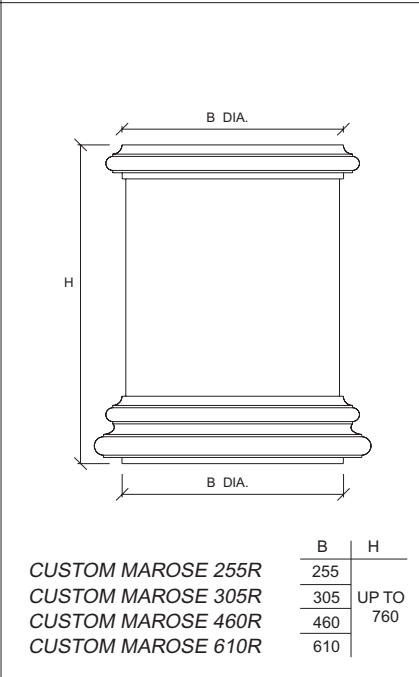
NEWAVEA 510R-LOW



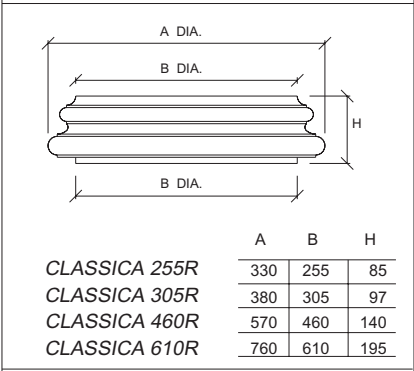
DOBLA 305R



KELLAMY 610R



CUSTOM MAROSE 255R
 CUSTOM MAROSE 305R
 CUSTOM MAROSE 460R
 CUSTOM MAROSE 610R



CLASSICA 255R
 CLASSICA 305R
 CLASSICA 460R
 CLASSICA 610R

- NOTES:
- THESE SKETCHES DEPICT CAST-IN-PLACE ARCHITECTURAL CONCRETE BASES VIA SINGLE-USE ArtFORMS CONCRETE FORMS.
 - DIMENSIONS SHOWN ARE IN NOMINAL mm.
 - * INDICATES OPTIONAL SELF-LOCKING ALUMINUM COLOR ACCENT BAND FOR HORIZONTAL REVEAL(S).



CAST-IN-PLACE
ARCHITECTURAL CONCRETE BASES

for...
 SITE LIGHTING POLES • FLOODLIGHTS • LIGHTING & PROTECTIVE BOLLARDS
 FLAGPOLES • COLUMNS • SIGN POSTS • GAZEBO/PAVILION/PERGOLA/TRELLIS POSTS
 FENCE/GATE POSTS • PORCH POSTS • DECK POSTS • DRIVEWAY LAMP POSTS • OTHER • CUSTOM

ArtFORMS International Inc. www.ArtFORMSConcreteBases.com
 EMAIL: ArtFORMS@ArtFORMSConcreteBases.com TEL: 905-642-3225 FAX: 905-642-3227

ArtFORMS Architectural Concrete Bases are cast-in-place on the jobsite by the Property Owner's construction Contractor by means of versatile, cost-effective, single-use ArtFORMS Concrete Forms