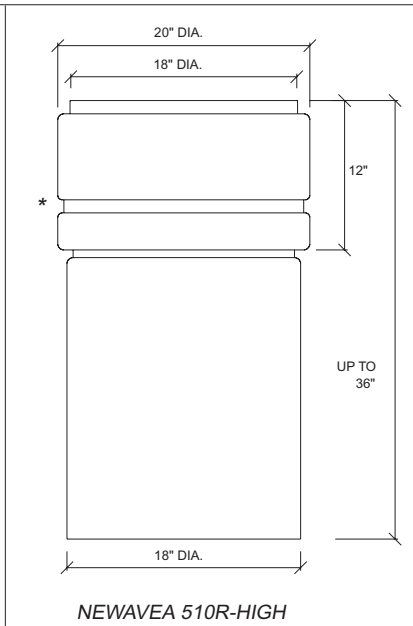
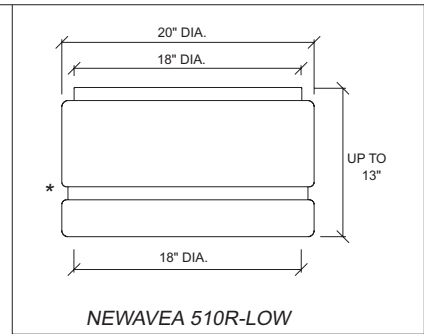


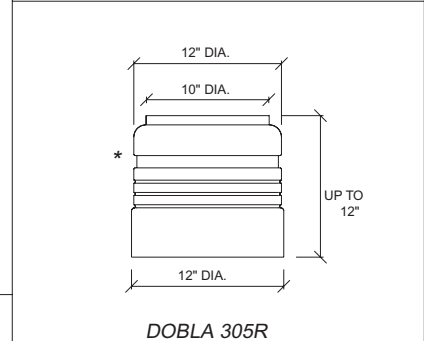
MODUA 500R



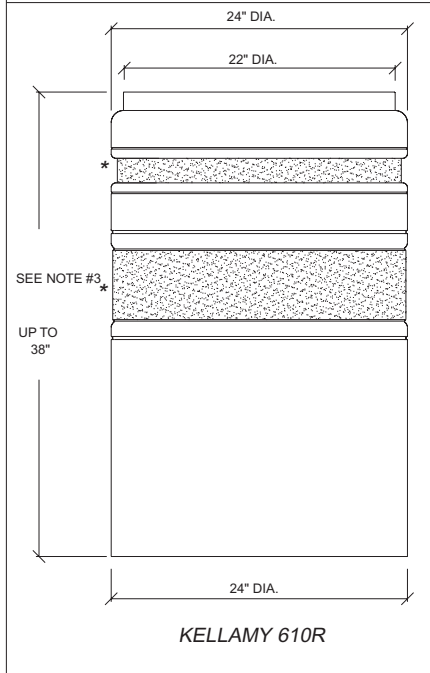
NEWAVEA 510R-HIGH



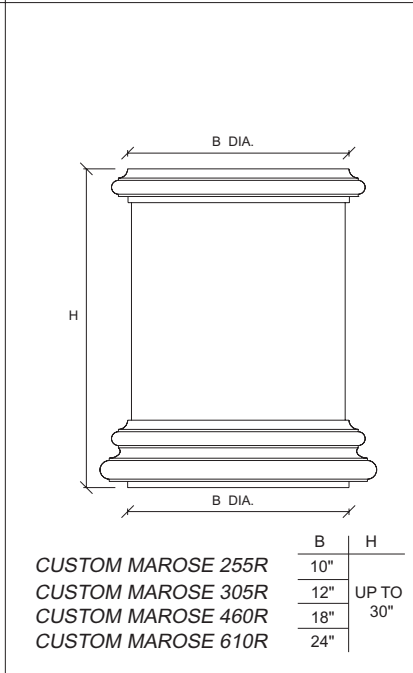
NEWAVEA 510R-LOW



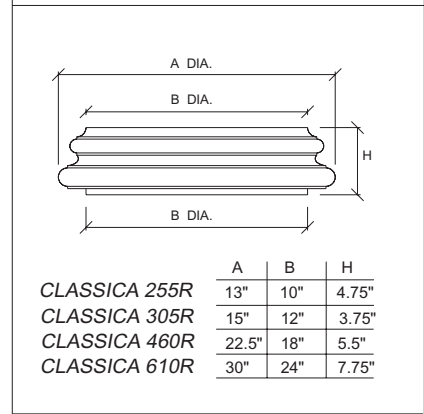
DOBLA 305R



KELLAMY 610R



CUSTOM MAROSE 255R  
 CUSTOM MAROSE 305R  
 CUSTOM MAROSE 460R  
 CUSTOM MAROSE 610R



CLASSICA 255R  
 CLASSICA 305R  
 CLASSICA 460R  
 CLASSICA 610R

NOTES:

1. THESE SKETCHES DEPICT CAST-IN-PLACE ARCHITECTURAL CONCRETE BASES VIA SINGLE-USE ArtFORMS CONCRETE FORMS.
2. DIMENSIONS SHOWN ARE IN NOMINAL INCHES.
3. \* INDICATES OPTIONAL SELF-LOCKING ALUMINUM COLOR ACCENT BAND FOR HORIZONTAL REVEAL(S).



CAST-IN-PLACE  
**ARCHITECTURAL CONCRETE BASES**

for...  
 SITE LIGHTING POLES • FLOODLIGHTS • LIGHTING & PROTECTIVE BOLLARDS  
 FLAGPOLES • COLUMNS • SIGN POSTS • GAZEBO/PAVILION/PERGOLA/TRELLIS POSTS  
 FENCE/GATE POSTS • PORCH POSTS • DECK POSTS • DRIVEWAY LAMP POSTS • OTHER • CUSTOM

ArtFORMS International Inc.      www.ArtFORMSConcreteBases.com  
 EMAIL: ArtFORMS@ArtFORMSConcreteBases.com      TEL: 905-642-3225      FAX: 905-642-3227

ArtFORMS Architectural Concrete Bases are cast-in-place on the jobsite by the Property Owner's construction Contractor by means of versatile, cost-effective, single-use ArtFORMS Concrete Forms